



MVR2046

SERVICE MANUAL

VIDEO CASSETTE RECORDER

**REVISION 1
MFR'S VERSION R**



The ORIGINAL SERVICE MANUAL of MFR'S VERSION B is mistaken for MFR'S VERSION P.
Please file the revision with the original version.

MFR'S VERSION	IC4001
P	LA71003M-MPB
R	LA71001M-MPB



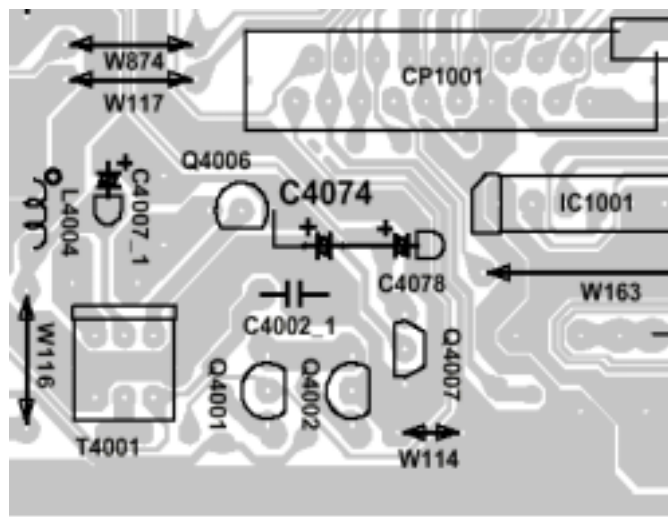
Change of IC

ELECTRICAL REPLACEMENT PARTS LIST

REF. NO.	MFR'S VERSION P		MFR'S VERSION R	
	PART NO.	DESCRIPTION	PART NO.	DESCRIPTION
IC4001	I03F371003	IC LA71003M-MPB	I03F371001	IC LA71001M-MPB
R4010	R902N8103J	RC 10K OHM 1/8W	R902N8153J	RC 15K OHM 1/8W
R4023	R902N8151J	RC 150 OHM 1/8W	R902N8181J	RC 180 OHM 1/8W
R4037	R902N8102J	RC 1K OHM 1/8W	R902N8122J	RC 1.2K OHM 1/8W
R4048	R001T6103J	RC 10K OHM 1/6W		DLE
R4049	R902N8102J	RC 1K OHM 1/8W	R902N8182J	RC 1.8K OHM 1/8W
R4070		_____	R802R8103J	RC 10K OHM 1/8W
R4075	R802R8333J	RC 33K OHM 1/8W		DLE
R4076	R801R7682J	RC 6.8K OHM 1/10W		DLE
R4083		_____	R801R7275J	RC 2.7M OHM 1/10W
R4085		_____	R802R8102J	RC 1K OHM 1/8W
R4086		_____	R001T4103J	RC 10K OHM 1/4W
R4091	R801R7471J	RC 470 OHM 1/10W	R801R7152J	RC 1.5K OHM 1/10W
C4006	CS0SB04B4K	CC 0.012 UF 50V B	CS0SB0414K	CC 0.01 UF 50V B
C4013	E00PU1220M	CE 22 UF 10V	E00PU1470M	CE 47 UF 10V
C4029	E50HU2100M	CE 10 UF 16V	E50HU34R7M	CE 4.7 UF 25V
C4047	CS0LCH411J	CC 10 PF 50V CH	CS0LCH421J	CC 20 PF 50V CH
C4051	CS0SCH4Q1J	CC 47 PF 50V CH		DLE
C4060	CS0LB04H2J	CC 220 PF 50V B	CS0LB0412J	CC 100 PF 50V B
C4074		_____	E50HU2100M	CE 10 UF 16V
C4083		_____	E50HU2220M	CE 22 UF 16 V
PCB010	A4B592B01A	SYSCON PCB ASS'Y VM7132C	A4B592B01B	SYSCON PCB ASS'Y VM7132C

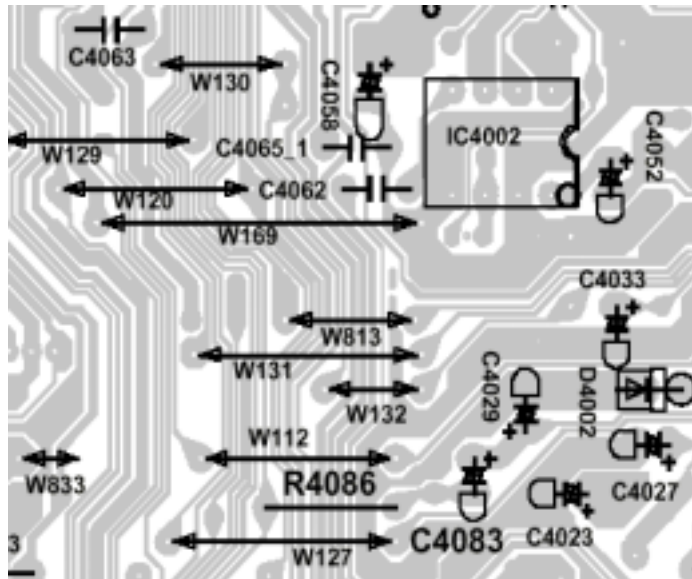
SYSCON PCB's are interchangeable.

PRINTED CIRCUIT BARDS SYSCON (INSERTED PARTS) SOLDER SIDE (MFR'S VERSIO R)



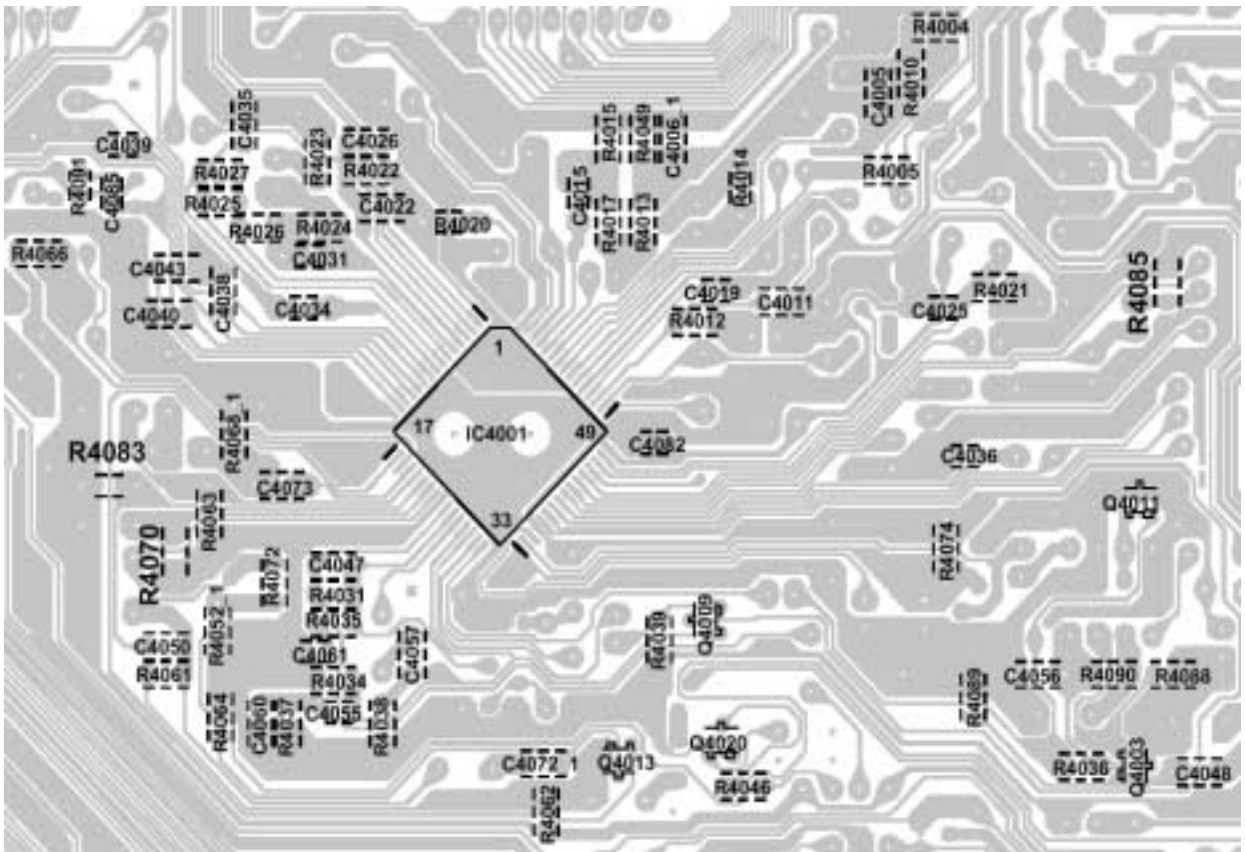
ADD C4074

**PRINTED CIRCUIT BARDS
 SYSCON (INSERTED PARTS)
 SOLDER SIDE
 (MFER'S VERSIOR)**



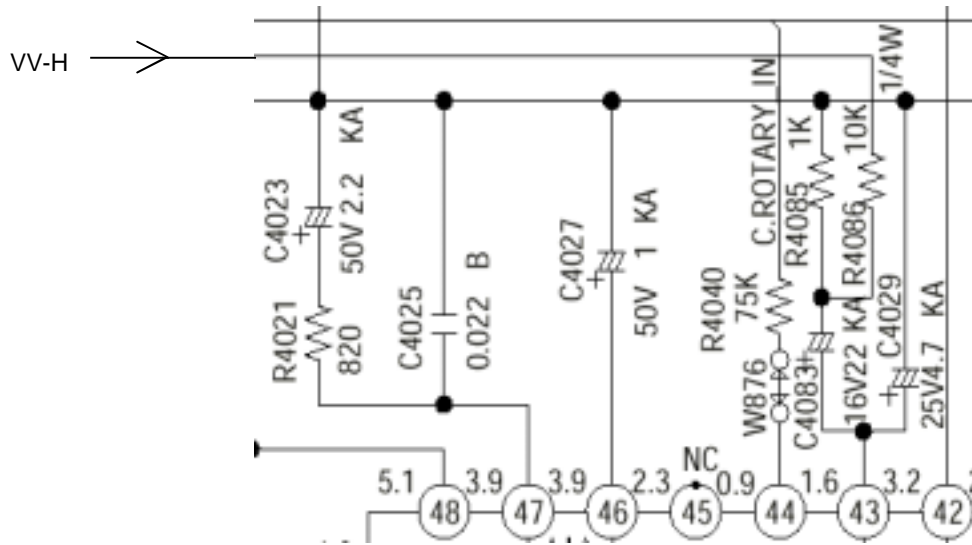
ADD R4086
 C4083

**PRINTED CIRCUIT BARDS
 SYSCON (CHIP MOUNTED PARTS)
 SOLDER SIDE
 (MFER'S VERSIO R)**



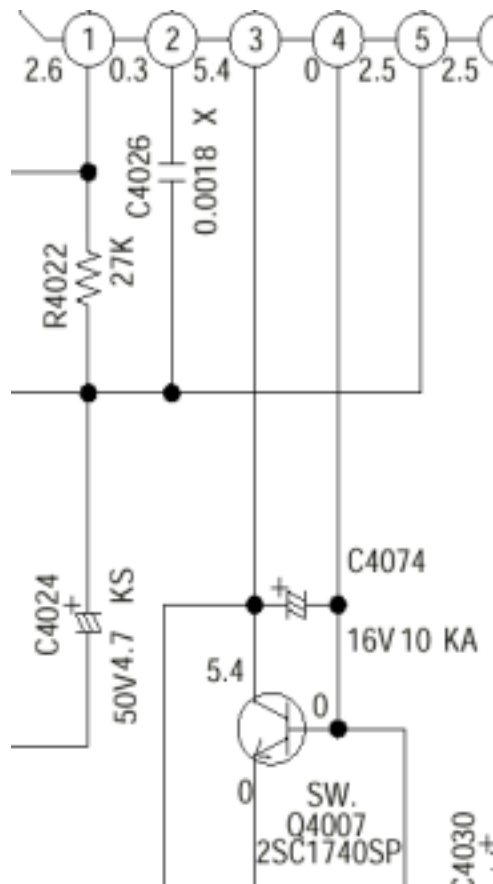
ADD R4070
 R4083
 R4085

Y/C/AUDIO SCHEMATIC DIAGRAM (SYSCON PCB) (MFER'S VERSIO R)



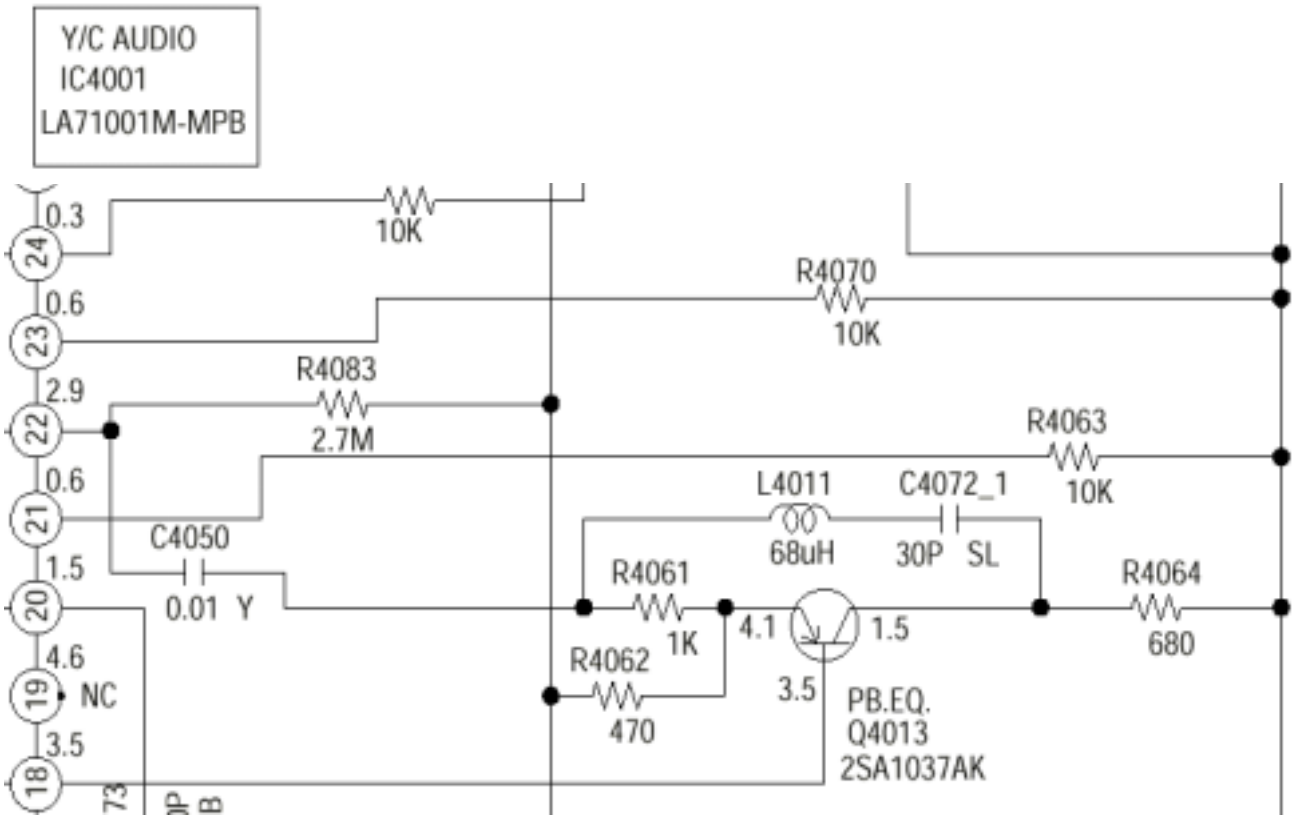
ADD R4085
 R4086
 C4083

Y/C AUDIO
 IC4001
 LA71001M-MPB



ADD C4074

Y/C/AUDIO SCHEMATIC DIAGRAM
(SYSCON PCB)
(MFER'S VERSIO R)



ADD R4070
R4083

SPEC. NO.	M4B5-92B
O/R NO.	B8X4013